

- smartphone control
- smartphone or tablet setup
- two Wi-Fi and GSM/GPRS communication channels
- secure two-way radio communication with wireless devices
- two transceivers 868.0 ... 868.6MHz. Range - up to 2000 m
- radio channel tampering detection
- 2500 mAh battery - up to 24 hours of operation
- connection to security companies via ContactID
- easy and fast installation



The MAKS PRO WiFi wireless security system center is designed to control home security systems. MAKS PRO WiFi supports connection to up to 200 devices (sensors, keyboards, key fobs, etc.) via radio channel at a distance of up to 2000 m. The device interacts with the user and the security company, using the Internet and GSM/GPRS communication for enhanced reliability.

## Radio communication

Two transceivers - 868.0 ... 868.6 MHz, with several channels for redundancy. Secure two-way radio communication with radio channel tamper detection. Distance - up to 2000 m in the open space. Three grades of power, maximum - up to 25 mW.

## User communication

The device needs Internet access to connect to the MAKS Cloud service. With the help of the cloud service and the smartphone application, a user can connect to MAKS PRO WiFi to manage and configure the device.

## Communication with the security company

Round-the-clock Internet and GSM/GPRS communication, regardless of whether the device was connected to a cloud service or not. Data exchange is encrypted and protected against intelligent tampering.

## Power redundancy

The device is equipped with a 2500 mAh battery and can work for up to 24 hours in the absence of the main power supply.

## Features

In the absence of the main power supply and during the operation from the built-in battery, the device switches to the power saving mode. In this mode, the Wi-Fi communicator is switched off and only GSM/GPRS is working. The permanent display of the device status will be switched off and the status will be displayed once every 30 seconds by flashing. If the SIM card is missing for 5 minutes, the device will turn off the GSM/GPRS modem. In this case, after inserting the SIM card, the device should be restarted.

## User personal data

MAKS PRO WiFi is designed to ensure that only the minimum required amount of personal data is stored in a cloud service under multi-level protection with all the data exchange going through an encrypted channel.

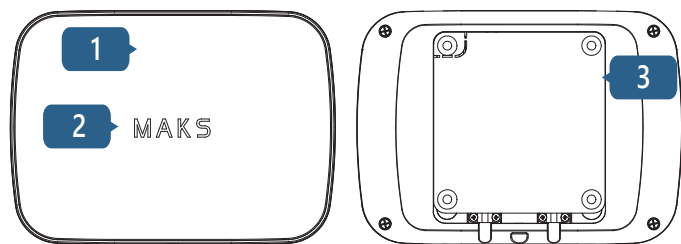
*Please note: when installing and operating the device, observe the general rules and regulations for electrical safety for electrical devices.*

For more information on setting up and operating the device, please visit [www.maks.systems](http://www.maks.systems)

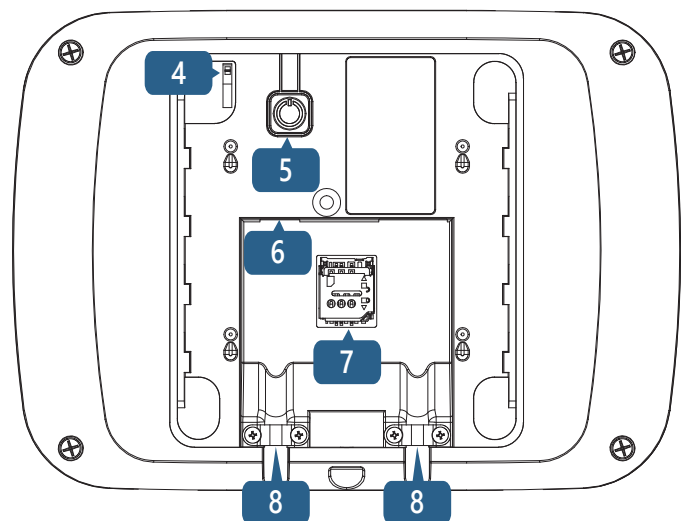
## Characteristics

Security groups	8
Wireless devices in the system	200
sensors	99
keyboards	8
keyfobs	60
Users	60
ISM wireless interface, up to 2000 m	868.0... 868.6 MHz
sabotage detection	+
secure two-way communication	key - 256 bits
Connection	
Wireless network, Wi-Fi	802.11b/g/n, WPA/WPA2/WEP
GSM/GPRS modem	для резервування
GSM/GPRS	850/900/1800/1900 MHz Class 4 (2 W @ 850/900MHz) Class 1 (1 W @ 1800/1900MHz)
Wi-Fi	2.4 ... 2.5 GHz 14 dBm for 802.11n MCS7 20 dBm for 802.11b
Power supply and consumption	12 VDC, max. 0.35 A
power supply unit included	
Power redundancy	battery, 2500 mAh
battery runtime	up to 24 hours
Operating temperature range	from 0°C to +40°C
Overall dimensions	167 x 120 x 25.4 mm
Weight	245 grams
Case color	white, black

## Functional parts of the device



- |                    |                                |
|--------------------|--------------------------------|
| 1. Device case     | 5. On/Off button               |
| 2. Light indicator | 6. Power supply connector      |
| 3. Mounting plate  | 7. SIM card holder (micro SIM) |
| 4. Tamper contact  | 8. Cable clamp                 |



## Indication

### MAKS light indicator:

- **glows green** - communication with MAKS Cloud
- **glows red** - no communication with MAKS Cloud (none of the Wi-Fi or GPRS channels are working)
- **flashes green every 30 seconds** - no main power, the device is in power saving mode, and there is a connection to the MAKS Cloud
- **flashes red every 30 seconds** - no main power supply, the device is in power saving mode, and there is no communication with MAKS Cloud (none of the Wi-Fi and GPRS channels are working)

## Switching on and off

In order to turn on the device, just plug it in the power supply unit connected to the socket. To turn on the device without the main power supply, press button **5**.

The light indicator will turn on and the device will start loading.

To turn off the device, turn off the power supply, press and hold button **5** for 3 seconds, until you hear the sound signal.

## Resetting to default

Press and hold button **5** for 40 seconds. You will hear series of sound signals - continue to hold button 5. When indicator MAKS glows yellow and you will hear long sound signal - release button **5**. Device resets to default.

## Selecting the installation location

Carefully select the location of the wireless security center MAKS PRO WiFi. Make sure the location meets the following criteria:

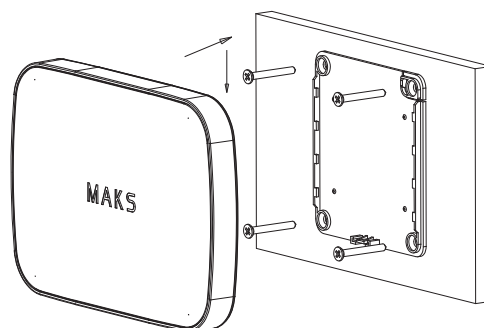
1. Reliable communication with MAKS wireless devices
2. Internet access via Wi-Fi and/or GSM/GPRS
3. The device must be kept out of sight

MAKS PRO WiFi should not be placed:

1. Outdoors or in areas with unacceptable humidity and temperature
2. In places with a high level of radio interference
3. Near objects that can cause radio, metal, mirrors, etc. to fade out.

## Installation and connection

1. Slide the mounting plate **3** down and disconnect it
2. Fit plate **3** on the surface (e.g. on the wall), using the screws and plugs included in the kit.



3. Insert the GSM operator's SIM card into the holder **7**, with a previously disabled PIN code request
4. Connect the power supply to connector **6** of the device
5. Secure the cable with the clamp **8**
6. Place the device on mounting plate **3** and slide it down to fix it and lock the tamper contact **4**

## Setting up

1. Download and install the MAKS Setup application, launch it and sign up
2. Break the tamper switch of the device. To do it, slide the device mounted on the mounting plate upwards
3. In MAKS Setup, log in to the created account and click the "+" (Add) button to add the device.
4. Next, select the created device from the list and set up a Wi-Fi connection
5. Select the created device from the list and press the "Add radio devices" button to register detectors, keypads, etc. and configure them.
6. After registering all available wireless devices, add the first user to the tab ("Users") and enter their name. Provide it with a keyboard PIN code, a key fob, if used. Enter the e-mail address of the user if he or she is going to use the MAKS PRO mobile application to control the system. An invitation will be sent to the e-mail with a link to download the application. Once the application is installed, the user password must be created.
7. To connect the device to security companies in MAKS SETUP, use the settings available.



*The user cannot change the settings of the device if it is connected to a security company.*